

石英微机械惯性测量单元

Quartz Mechanical Inertial Measurement Unit

CG-041系列

石英微机械惯性测量单元是一个全固态的六自由度惯性测量单元。它采用三个正交安装的石英微机械陀螺和三个石英挠性伺服加速度计，以及电源及信号调理电路组合而成，具有可靠性高、体积小、功耗低、使用方便的优点。

It is a solid-state six degrees of freedom inertial measurement unit. It consists of three quartz mechanical gyro with orthogonal installation and three quartz flexible servo accelerometer, and the power and signal conditioning circuit, it has the advantages of high reliability, small size, low power consumption, easy to use.

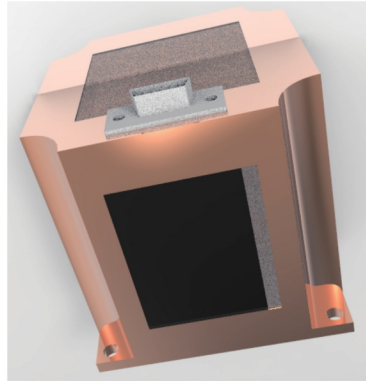
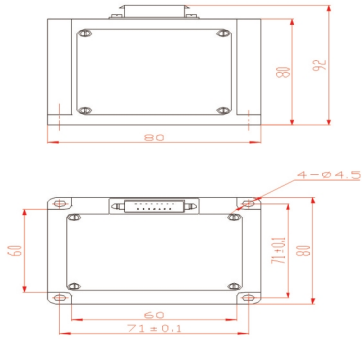
功能与用途

Function and Application

1. 飞行器监测仪器
2. 组合导航
3. 控制系统
4. 姿态参考系统
5. 航迹推算辅助GPS
6. 飞行试验
7. 机器人
8. 汽车测试
9. 船舶监测仪器

1. Vehicle monitoring instrument
2. integrated navigation
3. control system
4. attitude reference system
5. Dead reckoning auxiliary GPS
6. flight test
7. Robot
8. Vehicle Testing
9. Ship monitoring instrument

技术参数 technical parameters	速率通道 speed rate channel	加速度通道 accelerated speed channel
电源输入 input power	±15VDC ± 10%	
电源电流 current	200mA	
测量范围 Measurement range	±1000/s	± 20g
满量程输出 full measurement output	± 2V	± 24mA
零偏 zero offset	2.5V ± 0.1V	0mA ± 0.1mA
标度因数 scale factor	20mV/o/s	1.2mA/g
零偏稳定性 zero-bias stability	30 /h	0.5mg
非线性 Nonlinear	0.1%	0.05%
带宽 bandwidth	30Hz	100Hz
分辨率 resolution ratio	0.01o/s	100 μg
开始时间 start time	1s	
重量 weight	<1000g	



分辨率 Resolving power	0.01o/s	100 μg
启动时间 Start time	1s	
重量 weight	<1000g	